



UNICLAD | STEEL CLADDING & CEILING

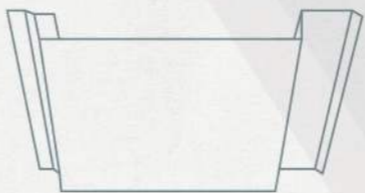
UNICLAD

THE CONCEALED-FIX CLADDING & CEILING PANEL

UNITED G.I. PRODUCTS SDN. BHD.
 198801008997 (176354-H)
 Lot 835, Block 7, Jalan Demak Laut 3,
 Demak Laut Industrial Park, 93050
 PO Box 472, 93710 Kuching,
 Sarawak, Malaysia
 T +6 082 439 257
 F +6 082 439 259
 E info@ugi.com.my



Colorbond®



Colorbond®

AUTHORISED DEALER

© 2017 United GI Products Sdn Bhd. All rights reserved. UGI logo, UNIDEX®, UNISPAN®, UNITILE®, UNILOK®, UNICOR® and UNILINE® are trade marks of United GI Products Sdn Bhd, registered in Malaysia. COLORBOND® and ZINCALUME® are registered trademarks of BlueScope Steel Limited. The COLORBOND® steel colours shown in this catalogue have been reproduced to present actual product colours as accurately as possible. However, we recommend you to check your chosen colour against an actual sample of the product, as varying light conditions and limitations of the current printing process may affect colour tones. No part of this brochure may be reproduced or transmitted in any form by any means, electronic, mechanical, photocopying, recording or otherwise, with written permission of United GI Products Sdn Bhd. All intonation and product specifications are current at the time of printing and subject to change without notice. DOC ID: UGI UNICLAD Catalogue Rev. 3 / November 2025

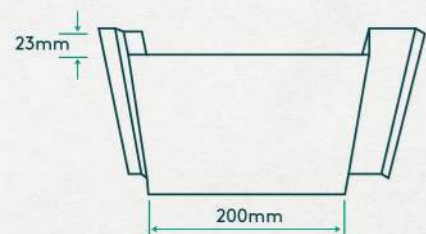


- Premium aesthetic finish
- Engineered with German technology

- Perfect for visually prominent projects
- Durable and low maintenance

SCHEMATICS & LENGTHS

UNICLAD 200 panels are available in standard lengths of up to 6 metres. Longer lengths can be supplied upon request, subject to transportation and proper site handling. The standard panel width is 200 mm.



TOLERANCES

Length: +10 mm / -5 mm | Cover Width: ±5 mm

COLOURS

UNICLAD is available in the full range of COLORBOND® colours, subject to minimum order quantity (MOQ). Shown below are some of the most popular colour selections.



OFF WHITE



BEIGE



GULL GREY



GUN METAL GREY

Note: Colours shown are for reference only. Please check your selected colour with an actual product sample, as lighting and print limitations may affect the final appearance.

PHYSICAL PROPERTIES

Material	Base Metal Thickness (mm)	Mass Of Material (kg/m ²)	Mass Of UNICLAD 200 (kg/m ²)
COLORBOND®	0.42	3.53	5.36

PREMIUM STEEL MATERIAL



UNICLAD is made using premium coated steel by BlueScope, engineered with Australian technology for lasting performance and superior quality.

Our recommended steel material – COLORBOND® steel – offers diverse aesthetic possibilities with exceptional colour appearance, outstanding durability, and proven performance.

- Excellent corrosion resistance with its ZINCALUME® steel substrate core for lasting protection
- Proprietary paint system resists fading, chalking, and peeling, ensuring colours stay vibrant longer
- Clean technology minimizes dirt accumulation on the surface, reducing maintenance and preserving its sleek appearance
- THERMATECH® solar reflectance technology reduces heat transfer through the roof, enhancing comfort and energy efficiency

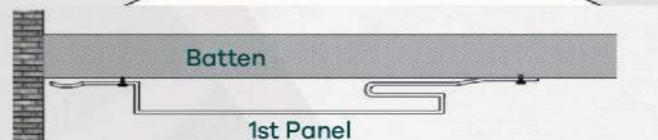
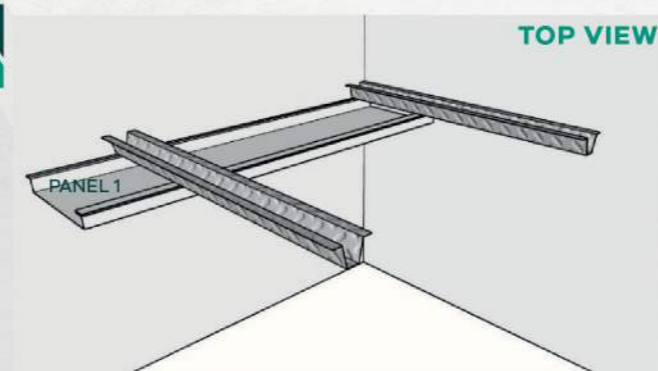
COLORBOND® steel conforms to the following certifications and standards:

- AS/NZS 2728:1997 – Prefinished Sheet Metal Product for Interior/Exterior Building Applications, certified by SIRIM QAS International Sdn. Bhd.
- MS 2383:2020 – Prefinished Sheet Metal Product for Interior/Exterior Building Applications, certified by SIRIM QAS International Sdn. Bhd.
- Perakuan Pematuhan Standard (PPS) – Bahan Binaan certified by CIDB Malaysia

Other coated steel from BlueScope are also available upon request: VERMOE® steel, ZINCALUME® steel, PRIMAMAJU® steel.

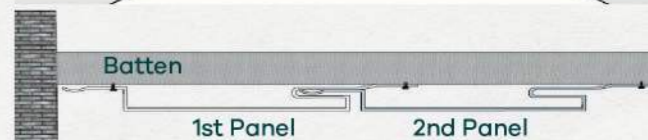
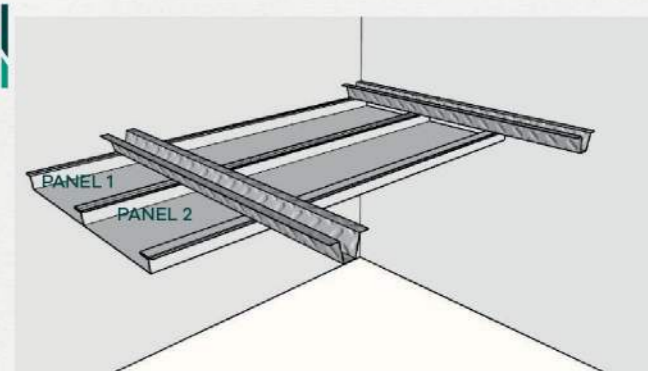
UGI UNICLAD CEILING INSTALLATION GUIDE

1. TOP VIEW



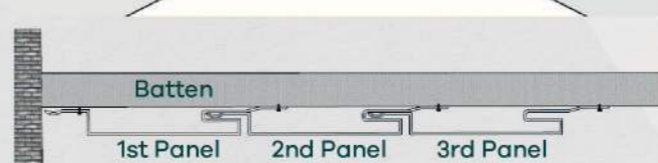
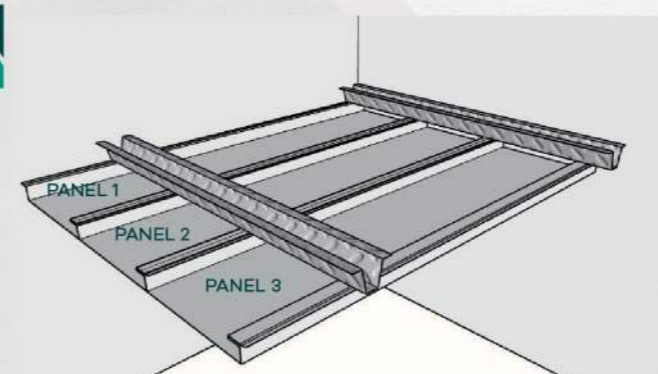
Install the first UGI UNICLAD ceiling panel beneath the battens. Secure both the male rib and female rib of the panel with screws.

2.



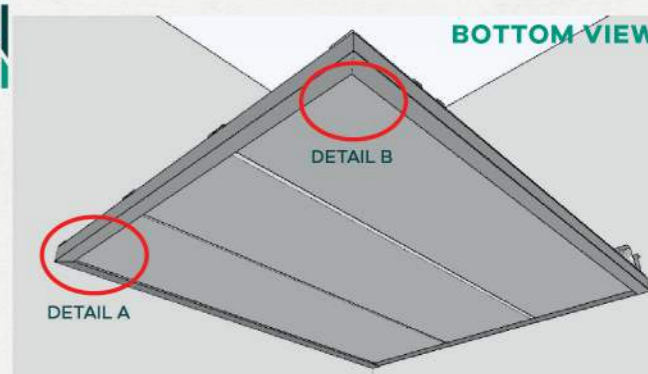
Fit the male rib of the second ceiling panel into the female rib of the first panel. Use screws to fasten the female rib of the second panel to the battens.

3.



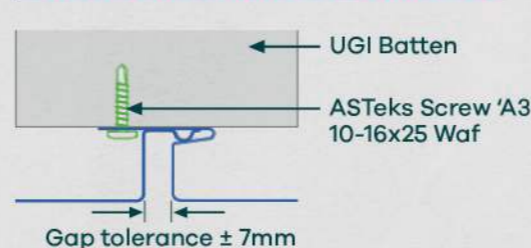
Repeat Step 2 for the installation of the third and subsequent ceiling panels.

4. BOTTOM VIEW



Once all ceiling panels are installed, fix the L-trims to complete the installation process.

TYPICAL HIDDEN FASTENER



CAUTIONS

- Copper and lead are incompatible materials and should not be used with UNICLAD made from COLORBOND® steel.
- Manual cutting is recommended. Avoid using circular saws, as hot particles may fall onto the UNICLAD sheets and cause damage.
- Keep ceiling panels dry and elevated off the ground in a well-ventilated area with proper cover. This prevents moisture accumulation on the sheets and avoids contact with corrosive agents such as chemicals, solvents, or noxious vapours.

CUTTING GUIDELINE



It is recommended to use general metal snips or aviation scissors when cutting UNICLAD panels.

* NOTE :

For UNICLAD ceiling panels longer than 4 metres, or for any other technical support, please contact our technical support team



UNICLAD